

Tabellen volgens C.E. NORM (75%)
DIN 15019.2

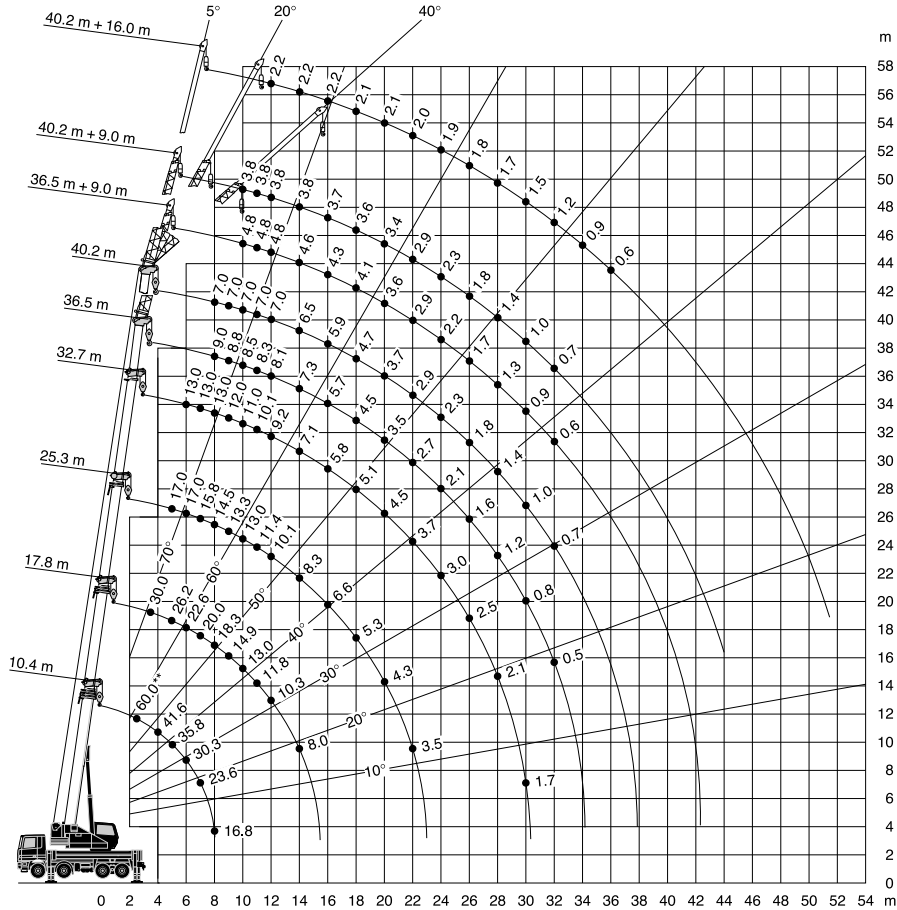
Standaardafmetingen
van de stempelschotten 1.1 x 2.2 m

Gewicht van hijsblokken

15 T	1 schijfs	170 kg
32 T	3 schijfs	300 kg

Toelaatbare reeptrek

Hijsdraad doorsnede	16 mm
Capaciteit	5.35 ton



Hijswermogen (t) aan de hoofdgiek volledige stempelbasis 6.45 x 6.28 m.

Mastlengte in meters	Vlucht in meters																Ballast 8.4 ton							
	2.5	3.0	3.5	4.0	4.5	5.0	6.0	7.0	8.0	9.0	10.0	11.0	12.0	14.0	16.0	18.0	20.0	22.0	24.0	26.0	28.0	30.0	32.0	
10.4*	60.0*	49.1	45.1	41.6	38.6	35.8	30.3	23.6	16.8															
10.4	50.0	44.5	40.4	37.0	34.0	31.5	27.3	23.6	16.8															
14.1		30.0	30.0	30.0	30.0	30.0	26.7	22.6	17.8	14.5	12.1	10.2												
17.8			30.0	29.0	27.6	26.2	22.6	20.0	18.3	14.9	13.0	11.8	10.3	8.0										
25.3						17.0	17.0	15.8	14.5	13.3	13.0	11.4	10.1	8.3	6.6	5.3	4.3	3.5						
32.7							13.0	13.0	13.0	12.0	11.0	10.1	9.2	7.1	5.8	5.1	4.5	3.7	3.0	2.5	2.1	1.7		
36.5								9.0	8.8	8.5	8.3	8.1	7.3	5.7	4.5	3.5	2.7	2.1	1.6	1.2	0.8	0.5		
40.2									7.0	7.0	7.0	7.0	7.0	6.5	5.9	4.7	3.7	2.9	2.3	1.8	1.4	1.0	0.7	

* over achterzijde / * speciale voorziening nodig

Hijswermogen (t) aan de hoofdgiek volledige stempelbasis 6.45 x 6.28 m.

Mastlengte in meters	Vlucht in meters																Ballast 7.3 ton							
	2.5	3.0	3.5	4.0	4.5	5.0	6.0	7.0	8.0	9.0	10.0	11.0	12.0	14.0	16.0	18.0	20.0	22.0	24.0	26.0	28.0	30.0	32.0	
10.4*	60.0*	49.1	45.1	41.6	38.6	35.8	30.3	23.6	16.8															
10.4	50.0	44.5	40.4	37.0	34.0	31.5	27.3	22.6	16.8															
14.1		30.0	30.0	30.0	30.0	30.0	26.7	21.6	17.0	13.8	11.4	9.6												
17.8			30.0	29.0	27.6	26.2	22.6	20.0	17.4	14.2	13.0	11.2	9.8	7.5										
25.3						17.0	17.0	15.8	14.5	13.3	12.7	10.8	10.1	7.9	6.2	4.9	4.0	3.2						
32.7							13.0	13.0	13.0	12.0	11.0	9.8	8.6	6.7	5.8	5.1	4.1	3.3	2.7	2.2	1.8	1.5		
36.5								9.0	8.8	8.5	8.3	8.1	6.8	5.3	4.1	3.1	2.4	1.8	1.3	0.9	0.6			
40.2									7.0	7.0	7.0	7.0	7.0	6.5	5.4	4.3	3.4	2.6	2.0	1.5	1.1	0.8	0.5	

* over achterzijde / * speciale voorziening nodig

Hijsvermogen (t) aan de hoofdgiek halve stempelbasis 6.45 x 4.30 m.

Mastlengte in meters	Vlucht in meters																Ballast 8.4 ton						
	2.5	3.0	3.5	4.0	4.5	5.0	6.0	7.0	8.0	9.0	10.0	11.0	12.0	14.0	16.0	18.0	20.0	22.0	24.0	26.0	28.0	30.0	32.0
10.4*																							
10.4	44.5	39.6	35.6	32.2	29.4	27.0	19.3	14.7	11.6														
14.1		30.0	30.0	30.0	27.5	23.6	18.0	13.8	10.8	8.6	7.1	5.8											
17.8			30.0	28.7	24.2	21.0	17.1	13.9	12.6	10.3	8.7	7.4	6.3	4.8									
25.3						17.0	14.8	13.0	11.8	10.2	8.9	7.7	6.6	5.1	3.9	3.0	2.4	1.9					
32.7						13.0	11.3	9.5	8.5	8.1	7.3	6.5	5.2	4.0	3.2	2.5	2.0	1.5	1.2	0.9	0.6		
36.5									9.0	8.0	6.9	6.0	5.2	4.0	3.1	2.3	1.6	1.1	0.7				
40.2									7.0	7.0	7.0	6.0	5.3	4.1	3.2	2.5	1.8	1.3	0.9	0.5			

10.4* over achterzijde

Hijsvermogen (t) aan de hoofdgiek halve stempelbasis 6.45 x 4.30 m.

Mastlengte in meters	Vlucht in meters																Ballast 7.3 ton						
	2.5	3.0	3.5	4.0	4.5	5.0	6.0	7.0	8.0	9.0	10.0	11.0	12.0	14.0	16.0	18.0	20.0	22.0	24.0	26.0	28.0	30.0	32.0
10.4*																							
10.4	44.0	39.4	35.4	32.0	29.2	25.6	18.2	13.8	10.9														
14.1		30.0	30.0	30.0	25.9	22.2	17.0	12.9	10.1	8.0	6.5	5.3											
17.8			30.0	27.1	22.9	20.0	16.2	13.0	11.8	9.7	8.1	6.9	5.9	4.4									
25.3						17.0	13.9	12.5	11.2	9.6	8.3	7.2	6.2	4.7	3.6	2.8	2.1	1.6					
32.7						13.0	10.7	8.9	8.5	7.8	6.9	6.1	4.8	3.7	2.9	2.3	1.7	1.3	1.0	0.7			
36.5									8.8	7.5	6.4	5.6	4.8	3.6	2.7	2.0	1.4	0.9	0.5				
40.2									7.0	7.0	6.4	5.6	4.9	3.7	2.9	2.2	1.6	1.1	0.7				

10.4* over achterzijde

