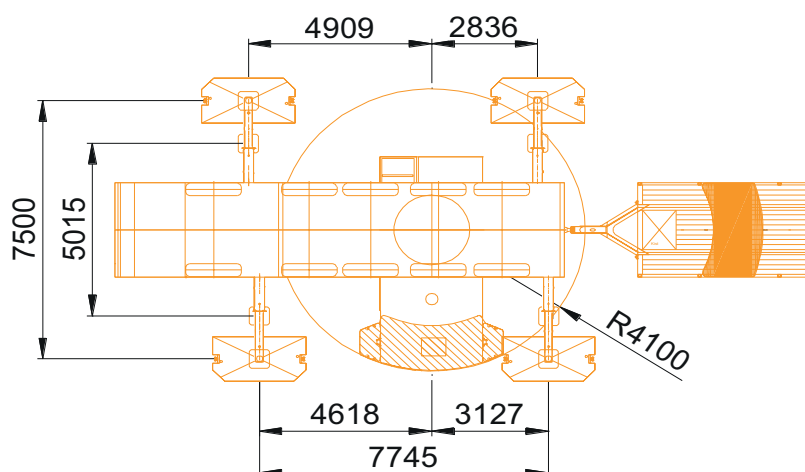
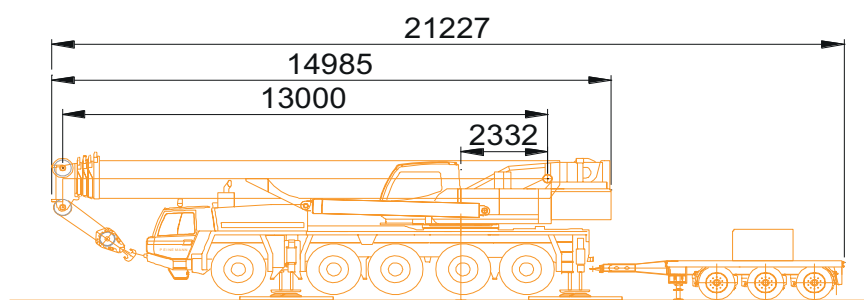


FAUN ATF 110G-5 / 110 TONS WEG/TERREIN KRAAN



HIJSBLOKKEN

WLL	SCHIJVEN	EIGEN GEWICHT
25 ton	1	300 kg
63 ton	3	600 kg

AFMETINGEN SCHOTTEN

2,5 x 1,4 meter

HIJSDRAAD

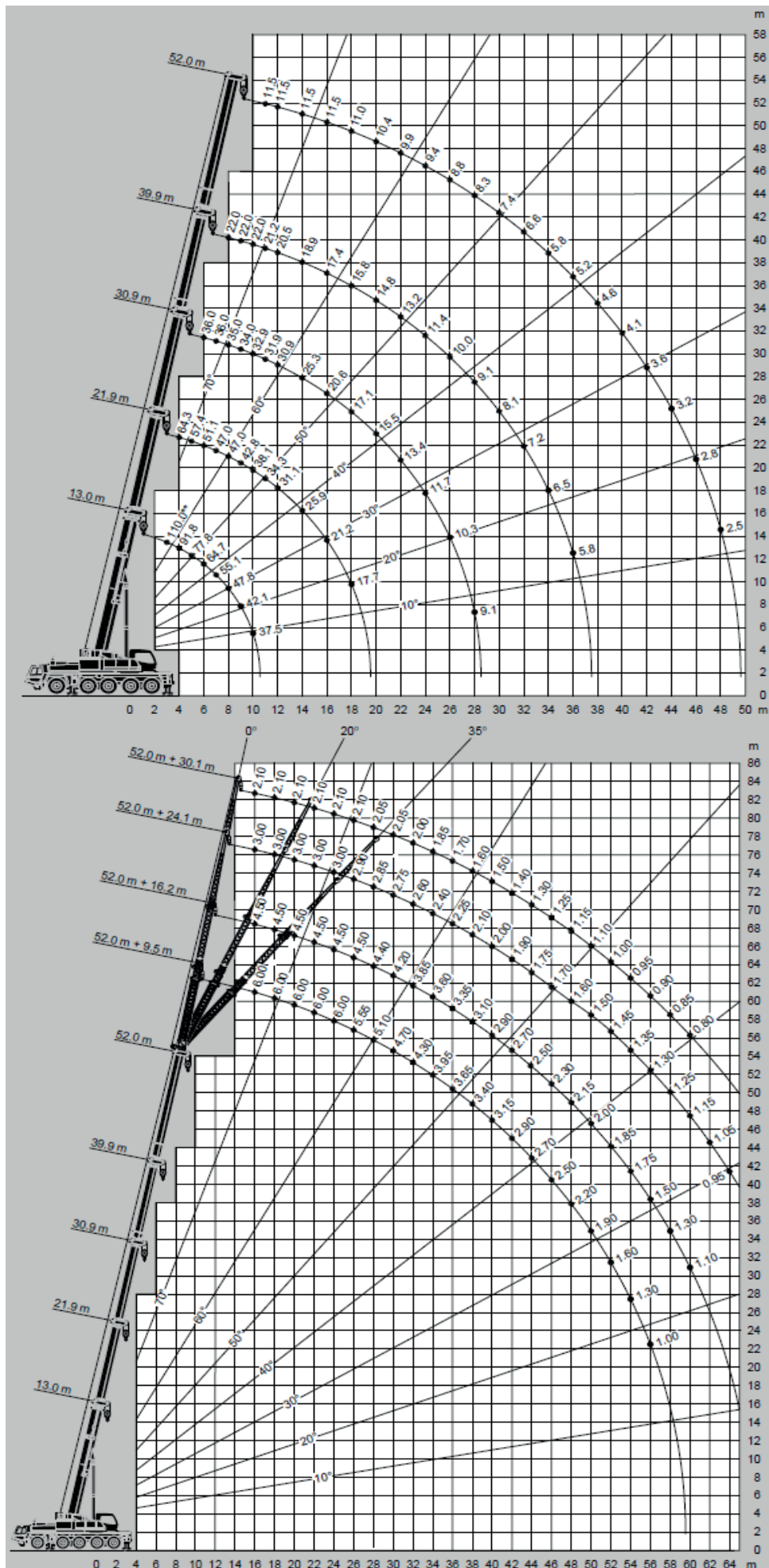
Reeptrek hijsdraad	8,8 Ton
Hijsdraaddiameter	21 mm

FAUN ATF 110G-5 / 110 TONS WEG/TERREIN KRAAN

HIJSMATERIAAL

HIJSBANDEN	TONNAGE/ LENGTE	KETTINGWERK	TONNAGE/ LENGTE
Hijsbanden	3 ton / 6 meter	Kettingleng	10,3 ton-8 mtr
Hijsbanden	3 ton / 6 meter	Kettingleng	10,3 ton-8 mtr
Hijsbanden	3 ton / 6 meter	Kettingleng	10,3 ton-8 mtr
Hijsbanden	3 ton / 6 meter	Kettingleng	10,3 ton-8 mtr
Hijsbanden	2 ton / 3 meter	Kettingleng	6,8 ton-2.5 mtr
Hijsbanden	2 ton / 3 meter	Kettingleng	6,8 ton-2.5 mtr
Hijsbanden	2 ton / 3 meter	Kettingleng	6,8 ton-2.5 mtr
Hijsbanden	2 ton / 3 meter	Kettingleng	6,8 ton-2.5 mtr
Hijsbanden	10 ton / 6 meter	Kettinggrommer	5 ton-3 mtr
Hijsbanden	10 ton / 6 meter	Kettinggrommer	5 ton-3 mtr
		Kettinggrommer	3,5 ton-1,4 mtr
Rondband	1 ton rondband	Kettinggrommer	6,4 ton-3 mtr
Rondstrop	5 ton / 4 meter	Kettinggrommer	6,4 ton-3 mtr
Rondstrop	5 ton / 4 meter	Kettinggrommer	6,4 ton-3 mtr
Rondstrop	5 ton / 4 meter	Kettinggrommer	6,4 ton-3 mtr
Rondstrop	5 ton / 4 meter	Kettingleng	4 ton-1 mtr
Rondstrop	2 ton / 2 meter	Kettingleng	4 ton-1 mtr
Rondstrop	2 ton / 2 meter	Kettingleng	4 ton-1 mtr
		Kettingleng	4 ton-1 mtr
SLUITINGEN			
Harpsluiting	2 ton	Ooghaak	8 ton
Harpsluiting	2 ton	Ooghaak	8 ton
Harpsluiting	2 ton	Ooghaak	8 ton
Harpsluiting	2 ton	Ooghaak	8 ton
Harpsluiting	3,25 ton		
Harpsluiting	3,25 ton	STROPEN	
Harpsluiting	3,25 ton	Strop	13 ton-10 mtr
Harpsluiting	3,25 ton	Strop	13 ton-10 mtr
Harpsluiting	3,25 ton	Strop	13 ton-10 mtr
Harpsluiting	8,5 ton	Strop	13 ton-10 mtr
Harpsluiting	8,5 ton		
Harpsluiting	8,5 ton	GROMMERS	
Harpsluiting	8,5 ton	Grommer	25 ton- 5 mtr
Harpsluiting	13,5 ton	Grommer	25 ton- 5 mtr
Harpsluiting	13,5 ton	Grommer	25 ton- 5 mtr
Harpsluiting	13,5 ton	Grommer	25 ton- 5 mtr
Harpsluiting	13,5 ton		
Harpsluiting	25 ton		
Harpsluiting	25 ton		
Harpsluiting	25 ton		
Harpsluiting	25 ton		

FAUN ATF 110G-5 / 110 TONS WEG/TERREIN KRAAN



FAUN ATF 110G-5 / 110 TONS WEG/TERREIN KRAAN

HIJSVERMOGEN (T) AAN DE HOOFDGIK VOLLEDIGE STEMPELBASIS 7.75 X 7.50 METER

MAST- LENGTE IN METERS	VLUCHT IN METERS																												BALLAST 8.7 TON		
	3	3,5	4	4,5	5	6	7	8	9	10	12	14	16	18	20	22	24	26	28	30	32	34	36	38	40	42	44	46	48	50	
13.0	95.0*	85.9	79.3	71.7	64.5	53.5	44.2	34.3	27.6	22.9																					
17.4	80.0	80.0	77.6	70.8	63.6	52.6	45.3	35.1	29.3	24.5	18.0	13.7																			
21.9	67.0	65.6	64.3	60.9	57.4	51.1	45.7	36.9	30.1	25.1	18.6	14.5	11.4	9.1																	
26.4			50.0	48.9	47.8	45.7	43.3	36.8	30.0	25.1	19.4	15.1	11.9	9.6	7.9	6.6															
30.9					36.0	36.0	36.0	35.0	29.3	24.6	19.3	15.1	12.0	9.7	8.0	6.6	5.6	4.7	4.0												
35.4						28.0	28.0	28.0	26.9	24.0	18.6	15.1	12.0	9.7	8.0	6.6	5.6	4.7	3.9	3.3	2.8										
39.9							22.0	22.0	22.0	22.0	17.9	14.8	11.7	9.4	7.7	6.4	5.3	4.4	3.7	3.1	2.6	2.1	1.7								
44.4								18.0	18.0	18.0	17.8	14.5	11.4	9.1	7.4	6.1	5.0	4.2	3.4	2.8	2.3	1.8	1.4	1.1							
48.9									14.0	14.0	14.0	13.9	10.9	8.6	7.0	5.6	4.6	3.7	3.0	2.4	1.9	1.4									
52.0										11.5	11.5	11.5	10.9	8.7	7.0	5.7	4.6	3.8	3.0	2.4	1.9	1.5									

HIJSVERMOGEN (T) AAN DE HOOFDGIK VOLLEDIGE STEMPELBASIS 7.75 X 7.50 METER

MAST- LENGTE IN METERS	VLUCHT IN METERS																												BALLAST 28.8 TON	
	3	3,5	4	4,5	5	6	7	8	9	10	12	14	16	18	20	22	24	26	28	30	32	34	36	38	40	42	44	46	48	50
13.0	95.0*	87.0	80.3	74.4	69.3	60.8	53.1	46.1	40.5	36.0																				
17.4	80.0	80.0	77.6	73.9	68.8	60.3	52.3	46.7	41.2	36.7	28.6	23.0																		
21.9	67.0	65.6	64.3	60.9	57.4	51.1	47.0	46.8	41.2	36.7	29.8	23.6	19.2	16.0																
26.4			50.0	48.9	47.8	45.7	43.3	41.4	39.6	36.9	29.7	23.5	19.1	15.9	13.4	11.9														
30.9					36.0	36.0	36.0	35.0	34.0	32.9	29.1	22.9	18.8	16.5	14.0	12.1	10.5	9.2	8.1											
35.4						28.0	28.0	28.0	26.9	25.8	23.6	21.7	19.2	16.0	13.5	11.7	10.7	9.4	8.3	7.3	6.5									
39.9							22.0	22.0	22.0	22.0	20.5	18.9	17.4	15.6	13.7	11.9	10.4	9.1	8.0	7.1	6.3	5.6	5.0							
44.4								18.0	18.0	18.0	18.0	16.9	15.9	14.9	13.6	11.7	10.1	8.8	7.8	6.8	6.0	5.4	4.7	4.2	3.7					
48.9									14.0	14.0	14.0	14.0	14.0	13.7	13.2	11.3	9.7	8.4	7.4	6.4	5.6	5.0	4.4	3.8	3.3	2.9	2.5	2.2		
52.0										11.5	11.5	11.5	11.5	11.0	10.4	9.9	9.4	8.5	7.4	6.5	5.7	5.0	4.4	3.8	3.4	2.9	2.6	2.2	1.9	

HIJSVERMOGEN (T) AAN DE HOOFDGIK VOLLEDIGE STEMPELBASIS 7.75 X 7.50 METER

MAST- LENGTE IN METERS	VLUCHT IN METERS																												BALLAST 35 TON	
	3	3,5	4	4,5	5	6	7	8	9	10	12	14	16	18	20	22	24	26	28	30	32	34	36	38	40	42	44	46	48	50
13.0*	110.0*	98.9*	91.8	86.0	77.8	64.7	55.1	47.8	42.1	37.5																				
13.0	95.0*	87.2	80.4	74.6	69.5	61.0	54.2	47.8	42.1	37.5																				
17.4	80.0	80.0	77.6	74.1	69.0	60.4	53.6	47.1	42.7	38.1	31.1	24.8																		
21.9	67.0	65.6	64.3	60.9	57.4	51.1	47.0	47.0	42.8	38.1	31.1	25.9	21.2	17.7																
26.4			50.0	48.9	47.8	45.7	43.3	41.4	39.6	37.6	31.8	25.9	21.1	17.6	15.0	12.9														
30.9					36.0	36.0	36.0	35.0	34.0	32.9	30.9	25.3	20.6	17.1	15.5	13.4	11.7	10.3	9.1											
35.4						28.0	28.0	28.0	26.9	25.8	23.6	21.7	20.6	17.7	15.0	12.9	11.2	9.9	9.2	8.3	7.4									
39.9							22.0	22.0	22.0	22.0	20.5	18.9	17.4	15.8	14.8	13.2	11.4	10.0	9.1	8.1	7.2	6.5	5.8							
44.4								18.0	18.0	18.0	18.0	16.9	15.9	14.9	14.4	13.1	11.4	10.0	8.8	7.8	6.9	6.2	5.5	5.0	4.4					
48.9									14.0	14.0	14.0	14.0	14.0	13.7	13.2	12.4	11.0	9.6	8.4	7.4	6.5	5.8	5.1	4.6	4.0	3.6	3.2	2.8		
52.0										11.5	11.5	11.5	11.5	11.0	10.4	9.9	9.4	8.8	8.3	7.4	6.6	5.8	5.2	4.6	4.1	3.6	3.2	2.8	2.5	

FAUN ATF 110G-5 / 110 TONS WEG/TERREIN KRAAN

HIJSVERMOGEN (T) AAN DE HOOFDGIK HALVE STEMPELBASIS 7.75 X 5.00 METER

MAST- LENGTE IN METERS	VLUCHT IN METERS																								BALLAST 28.8 TON				
	3	3,5	4	4,5	5	6	7	8	9	10	12	14	16	18	20	22	24	26	28	30	32	34	36	38	40	42	44	46	
13.0	83.7	75.8	69.2	63.5	58.7	50.8	44.2	35.3	29.1	24.5																			
17.4	80.0	75.2	68.6	63.0	58.1	50.2	44.6	36.3	30.6	25.9	19.6	15.3																	
21.9	67.0	65.6	64.3	60.9	57.4	47.9	41.8	36.6	31.3	26.6	20.2	15.9	13.0	10.7															
26.4			50.0	48.9	47.8	45.1	40.7	34.5	29.9	26.3	20.5	16.6	13.5	11.2	9.4	8.0													
30.9					36.0	36.0	36.0	32.1	27.9	24.6	20.8	16.4	13.6	11.2	9.5	8.0	6.9	6.0	5.2										
35.4						28.0	28.0	28.0	25.3	24.0	19.5	16.5	13.5	11.2	9.5	8.1	6.9	6.0	5.2	4.5	3.9								
39.9								22.0	22.0	22.0	21.7	17.9	16.0	13.3	11.0	9.2	7.8	6.7	5.7	4.9	4.2	3.7	3.1	2.7					
44.4									18.0	18.0	18.0	17.2	15.2	12.8	10.7	8.9	7.5	6.4	5.5	4.7	4.0	3.4	2.9	2.4	2.0	1.7			
48.9										14.0	14.0	14.0	14.0	12.0	10.2	8.5	7.1	6.0	5.1	4.3	3.6	3.0	2.5	2.1	1.7	1.3	1.0		
52.0											11.5	11.5	11.5	11.5	10.0	8.5	7.2	6.0	5.1	4.3	3.6	3.0	2.5	2.1	1.7	1.3	1.0		

HIJSVERMOGEN (T) AAN DE HOOFDGIK HALVE STEMPELBASIS 7.75 X 5.00 METER

MAST- LENGTE IN METERS	VLUCHT IN METERS																								BALLAST 35 TON				
	3	3,5	4	4,5	5	6	7	8	9	10	12	14	16	18	20	22	24	26	28	30	32	34	36	38	40	42	44	46	
13.0	84.8	76.9	70.2	64.5	59.6	51.5	45.2	40.2	33.3	28.1																			
17.4	80.0	76.3	69.6	63.9	58.9	50.9	45.8	40.8	34.2	29.6	22.5	17.7																	
21.9	67.0	65.6	64.3	60.9	57.4	50.6	45.9	40.2	35.5	30.2	23.1	18.3	14.9	12.3															
26.4			50.0	48.9	47.8	45.7	43.3	39.2	34.0	30.0	23.0	18.2	15.6	13.0	11.0	9.4													
30.9					36.0	36.0	36.0	35.0	31.8	28.1	22.8	18.8	15.4	12.8	11.0	9.5	8.2	7.1	6.2										
35.4						28.0	28.0	28.0	26.9	25.7	22.3	18.3	15.4	13.0	11.0	9.5	8.2	7.1	6.2	5.5	4.8								
39.9								22.0	22.0	22.0	22.0	20.1	17.1	15.3	12.8	10.8	9.2	8.0	6.9	6.0	5.2	4.6	4.0	3.5					
44.4									18.0	18.0	18.0	18.0	16.6	14.9	12.5	10.5	9.0	7.7	6.6	5.7	5.0	4.3	3.8	3.3	2.8	2.4			
48.9										14.0	14.0	14.0	14.0	14.0	12.0	10.1	8.5	7.3	6.2	5.3	4.6	3.9	3.4	2.9	2.4	2.0	1.7	1.4	1.1
52.0											11.5	11.5	11.5	11.5	11.0	10.1	8.6	7.3	6.3	5.4	4.6	4.0	3.4	2.9	2.5	2.1	1.7	1.4	1.1

FAUN ATF 110G-5 / 110 TONS WEG/TERREIN KRAAN

HIJSVERMOGEN (T) AAN DE HOOFDGIK + 9.5 > 16.2 METER KLAPJIB VOLLEDIGE STEMPELBASIS 7.75 X 7.50 METER

MAST- LENGTE IN METERS	VLUCHT IN METERS																													BALLAST 28.8 TON					
	8	9	10	12	14	16	18	20	22	24	26	28	30	32	34	36	38	40	42	44	46	48	50	52	54	56	58	60							
	0°			7.0	7.0	7.0	7.0	7.0	7.0	6.6	6.2	5.9	5.6	5.3	4.7	4.1	3.5	3.1	2.6	2.2	1.9	1.5	1.2	1.0											
13.0 > 48.9	20°			7.0	7.0	6.8	6.6	6.4	6.2	5.9	5.6	5.3	5.1	4.9	4.7	4.4	3.8	3.3	2.8	2.4	2.0	1.6	1.3	1.0											
9.5 m klapjib	35°					5.3	5.1	4.9	4.8	4.6	4.5	4.4	4.3	4.2	4.1	4.0	3.9	3.4	2.9	2.4	2.0	1.6	1.3												
	0°				5.1	5.1	5.1	5.1	5.1	5.1	5.0	4.8	4.7	4.4	4.1	3.9	3.7	3.5	3.2	2.8	2.4	2.1	1.8	1.5	1.2	1.0									
13.0 > 48.9	20°					4.5	4.5	4.4	4.2	4.0	3.8	3.6	3.4	3.3	3.1	3.0	2.9	2.7	2.6	2.5	2.5	2.3	2.0	1.7	1.4	1.1									
16.2 m klapjib	35°							3.0	2.9	2.8	2.7	2.6	2.5	2.4	2.4	2.3	2.3	2.2	2.2	2.1	2.1	2.1	2.1	1.7	1.4	1.1									

HIJSVERMOGEN (T) AAN DE HOOFDGIK + 9.5 > 16.2 METER KLAPJIB VOLLEDIGE STEMPELBASIS 7.75 X 7.50 METER

MAST- LENGTE IN METERS	VLUCHT IN METERS																													BALLAST 28.8 TON					
	8	9	10	12	14	16	18	20	22	24	26	28	30	32	34	36	38	40	42	44	46	48	50	52	54	56	58	60							
	0°			6.0	6.0	6.0	6.0	6.0	6.0	6.0	5.5	5.1	4.7	4.3	3.9	3.6	3.4	3.0	2.6	2.2	1.8	1.5	1.2												
13.0 > 52.0	20°				6.0	6.0	6.0	5.9	5.6	5.2	4.8	4.5	4.1	3.8	3.5	3.3	3.0	2.8	2.4	2.0	1.6	1.3	1.0												
9.5 m klapjib	35°					5.4	5.2	5.0	4.9	4.7	4.6	4.4	4.3	4.1	3.8	3.5	3.3	3.0	2.8	2.4	2.0	1.7	1.3	1.0											
	0°				4.5	4.5	4.5	4.5	4.5	4.5	4.5	4.4	4.2	3.8	3.6	3.3	3.1	2.9	2.7	2.5	2.3	2.0	1.7	1.4	1.2										
13.0 > 52.0	20°					4.0	4.0	3.8	3.6	3.4	3.3	3.1	3.0	2.8	2.7	2.6	2.5	2.4	2.3	2.2	2.1	1.9	1.6	1.3	1.1										
16.2 m klapjib	35°							2.5	2.4	2.3	2.3	2.2	2.1	2.1	2.0	2.0	1.9	1.9	1.8	1.8	1.8	1.8	1.7	1.4	1.1										

HIJSVERMOGEN (T) AAN DE HOOFDGIK + 9.5 > 16.2 METER KLAPJIB VOLLEDIGE STEMPELBASIS 7.75 X 7.50 METER

MAST- LENGTE IN METERS	VLUCHT IN METERS																													BALLAST 35 TON					
	8	9	10	12	14	16	18	20	22	24	26	28	30	32	34	36	38	40	42	44	46	48	50	52	54	56	58	60							
	0°			7.0	7.0	7.0	7.0	7.0	7.0	6.6	6.2	5.9	5.6	5.3	5.1	4.8	4.4	3.9	3.4	3.0	2.6	2.2	1.9	1.6	1.3	1.1									
13.0 > 48.9	20°			7.0	7.0	6.8	6.6	6.4	6.2	5.9	5.6	5.3	5.1	4.9	4.7	4.5	4.3	4.1	3.6	3.1	2.7	2.3	2.0	1.6	1.3	1.0									
9.5 m klapjib	35°					5.3	5.1	4.9	4.8	4.6	4.5	4.4	4.3	4.2	4.1	4.0	3.9	3.8	3.7	3.2	2.8	2.3	2.0	1.6	1.2										
	0°				5.1	5.1	5.1	5.1	5.1	5.1	5.0	4.8	4.7	4.4	4.1	3.9	3.7	3.5	3.3	3.1	3.0	2.7	2.4	2.1	1.9	1.6	1.4	1.1							
13.0 > 48.9	20°					4.5	4.5	4.4	4.2	4.0	3.8	3.6	3.4	3.3	3.1	3.0	2.9	2.7	2.6	2.5	2.5	2.4	2.3	2.0	1.7	1.4	1.1								
16.2 m klapjib	35°							3.0	2.9	2.8	2.7	2.6	2.5	2.4	2.4	2.3	2.3	2.2	2.2	2.1	2.1	2.1	2.1	2.0	2.0	1.7	1.4	1.0							

HIJSVERMOGEN (T) AAN DE HOOFDGIK + 9.5 > 16.2 METER KLAPJIB VOLLEDIGE STEMPELBASIS 7.75 X 7.50 METER

MAST- LENGTE IN METERS	VLUCHT IN METERS																													BALLAST 35 TON					
	8	9	10	12	14	16	18	20	22	24	26	28	30	32	34	36	38	40	42	44	46	48	50	52	54	56	58	60							
	0°			6.0	6.0	6.0	6.0	6.0	6.0	6.0	5.5	5.1	4.7	4.3	3.9	3.6	3.4	3.1	2.9	2.7	2.5	2.2	1.9	1.6	1.3	1.0									
13.0 > 52.0	20°				6.0	6.0	6.0	5.9	5.6	5.2	4.8	4.5	4.1	3.8	3.5	3.3	3.0	2.8	2.6	2.5	2.3	2.0	1.7	1.3	1.1										
9.5 m klapjib	35°					5.4	5.2	5.0	4.9	4.7	4.6	4.4	4.3	4.1	3.8	3.5	3.3	3.0	2.8	2.6	2.5	2.3	2.0	1.7	1.3	1.0									
	0°				4.5	4.5	4.5	4.5	4.5	4.5	4.5	4.4	4.2	3.8	3.6	3.3	3.1	2.9	2.7	2.5	2.3	2.1	2.0	1.8	1.7	1.5	1.3	1.0							
13.0 > 52.0	20°					4.0	4.0	3.8	3.6	3.4	3.3	3.1	3.0	2.8	2.7	2.6	2.5	2.4	2.3	2.2	2.1	2.0	1.8	1.7	1.6	1.4	1.2								
16.2 m klapjib	35°							2.5	2.4	2.3	2.3	2.2	2.1	2.1	2.0	2.0	1.9	1.9	1.8	1.8	1.8	1.8	1.7	1.7	1.6	1.4	1.1								

FAUN ATF 110G-5 / 110 TONS WEG/TERREIN KRAAN

HIJSVERMOGEN (T) AAN DE HOOFDGIK + 9.5 > 16.2 METER KLAPJIB HALVE STEMPELBASIS 7.75 X 5.00 METER

MAST- LENGTE IN METERS	VLUCHT IN METERS																								
	8	9	10	12	14	16	18	20	22	24	26	28	30	32	34	36	38	40	42	44	46	48	50		
	0°		70	70	70	70	70	70	6.6	5.6	4.7	3.9	3.3	2.7	2.2	1.7	1.3	0.9							
13.0 > 48.9	20°			70	70	6.8	6.6	6.4	6.2	5.9	5.2	4.3	3.6	3.0	2.4	2.0	1.5	1.1	0.8						
9.5 m klapjib	35°					5.3	5.1	4.9	4.8	4.6	4.5	4.4	3.9	3.2	2.6	2.1	1.7	1.3	0.9						
	0°				5.1	5.1	5.1	5.1	5.1	5.1	5.0	4.5	3.8	3.2	2.7	2.2	1.8	1.5	1.1	0.9					
13.0 > 48.9	20°					4.5	4.5	4.4	4.2	4.0	3.8	3.6	3.4	3.3	3.1	2.7	2.2	1.8	1.5	1.1	0.8				
16.2 m klapjib	35°							3.0	2.9	2.8	2.7	2.6	2.5	2.4	2.4	2.3	2.3	2.1	1.7	1.3	1.0				

HIJSVERMOGEN (T) AAN DE HOOFDGIK + 9.5 > 16.2 METER KLAPJIB HALVE STEMPELBASIS 7.75 X 5.00 METER

MAST- LENGTE IN METERS	VLUCHT IN METERS																								
	8	9	10	12	14	16	18	20	22	24	26	28	30	32	34	36	38	40	42	44	46	48	50		
	0°		6.0	6.0	6.0	6.0	6.0	6.0	6.0	5.5	4.6	3.9	3.2	2.6	2.1	1.7	1.3	0.9							
13.0 > 52.0	20°				6.0	6.0	6.0	6.0	5.9	5.6	5.2	4.3	3.6	3.0	2.4	1.9	1.5	1.1	0.8						
9.5 m klapjib	35°					5.4	5.2	5.0	4.9	4.7	4.6	4.4	3.9	3.2	2.6	2.1	1.7	1.3	0.9						
	0°				4.5	4.5	4.5	4.5	4.5	4.5	4.5	4.4	3.7	3.2	2.6	2.2	1.8	1.4	1.1	0.8					
13.0 > 52.0	20°					4.0	4.0	3.8	3.6	3.4	3.3	3.1	3.0	2.8	2.6	2.2	1.8	1.4	1.1	0.8					
16.2 m klapjib	35°							2.5	2.4	2.3	2.3	2.2	2.1	2.1	2.0	2.0	1.9	1.7	1.3	1.0					

HIJSVERMOGEN (T) AAN DE HOOFDGIK + 9.5 > 16.2 METER KLAPJIB HALVE STEMPELBASIS 7.75 X 5.00 METER

MAST- LENGTE IN METERS	VLUCHT IN METERS																								
	8	9	10	12	14	16	18	20	22	24	26	28	30	32	34	36	38	40	42	44	46	48	50		
	0°		70	70	70	70	70	70	70	6.6	5.9	5.0	4.3	3.6	3.0	2.5	2.1	1.7	1.3	1.0					
13.0 > 48.9	20°			70	70	6.8	6.6	6.4	6.2	5.9	5.6	5.3	4.6	3.9	3.3	2.8	2.3	1.9	1.5	1.1	0.8				
9.5 m klapjib	35°					5.3	5.1	4.9	4.8	4.6	4.5	4.4	4.3	4.1	3.5	2.9	2.4	2.0	1.6	1.2	0.9				
	0°				5.1	5.1	5.1	5.1	5.1	5.1	5.0	4.8	4.7	4.1	3.6	3.1	2.6	2.2	1.8	1.5	1.2	0.9			
13.0 > 48.9	20°					4.5	4.5	4.4	4.2	4.0	3.8	3.6	3.4	3.3	3.1	3.0	2.9	2.6	2.2	1.8	1.5	1.2	0.9		
16.2 m klapjib	35°							3.0	2.9	2.8	2.7	2.6	2.5	2.4	2.4	2.3	2.3	2.2	2.2	2.0	1.6	1.3	1.0		

HIJSVERMOGEN (T) AAN DE HOOFDGIK + 9.5 > 16.2 METER KLAPJIB HALVE STEMPELBASIS 7.75 X 5.00 METER

MAST- LENGTE IN METERS	VLUCHT IN METERS																								
	8	9	10	12	14	16	18	20	22	24	26	28	30	32	34	36	38	40	42	44	46	48	50		
	0°		6.0	6.0	6.0	6.0	6.0	6.0	6.0	6.0	5.5	5.0	4.2	3.6	3.0	2.5	2.0	1.6	1.3	1.0					
13.0 > 52.0	20°				6.0	6.0	6.0	6.0	5.9	5.6	5.2	4.8	4.5	3.9	3.3	2.8	2.3	1.9	1.5	1.1	0.8				
9.5 m klapjib	35°					5.4	5.2	5.0	4.9	4.7	4.6	4.4	4.3	4.1	3.5	2.9	2.4	2.0	1.6	1.2	0.9				
	0°				4.5	4.5	4.5	4.5	4.5	4.5	4.5	4.4	4.2	3.8	3.5	3.0	2.6	2.1	1.8	1.5	1.2	0.9			
13.0 > 52.0	20°					4.0	4.0	3.8	3.6	3.4	3.3	3.1	3.0	2.8	2.7	2.6	2.5	2.1	1.8	1.4	1.1	0.9			
16.2 m klapjib	35°							2.5	2.4	2.3	2.3	2.2	2.1	2.1	2.0	2.0	1.9	1.9	1.8	1.6	1.3	1.0			

FAUN ATF 110G-5 / 110 TONS WEG/TERREIN KRAAN

HIJSVERMOGEN (T) AAN DE HOOFDGIK + 24.1 > 30.1 METER STARRE JIB VOLLEDIGE STEMPELBASIS 7.75 X 7.50 METER

MAST-LENGTE IN METERS	VLUCHT IN METERS																												BALLAST 28.8 TON			
	8	9	10	12	14	16	18	20	22	24	26	28	30	32	34	36	38	40	42	44	46	48	50	52	54	56	58	60	62	64		
0°					3.2	3.2	3.2	3.2	3.2	3.1	2.9	2.8	2.6	2.4	2.3	2.1	2.0	1.9	1.8	1.7	1.6	1.5	1.4	1.3	1.3	1.2	1.0					
13.0 > 48.9	20°						2.9	2.7	2.5	2.4	2.2	2.1	2.0	1.9	1.8	1.7	1.6	1.6	1.5	1.4	1.4	1.3	1.3	1.2	1.2	1.1	1.1	1.0				
24.1 m klapjib	35°										1.6	1.6	1.5	1.5	1.4	1.4	1.3	1.3	1.3	1.2	1.2	1.2	1.2	1.2	1.1	1.1	1.1	1.0				
0°						2.3	2.3	2.3	2.3	2.3	2.2	2.1	2.0	1.9	1.7	1.6	1.5	1.4	1.3	1.2	1.1	1.1	1.0	0.9	0.9	0.8	0.8					
13.0 > 48.9	20°									2.0	1.8	1.7	1.6	1.5	1.4	1.3	1.3	1.2	1.1	1.1	1.0	1.0	0.9	0.9	0.8	0.8						
30.1 m klapjib	35°												1.1	1.0	1.0	0.9	0.9	0.9	0.8	0.8	0.8	0.8										

HIJSVERMOGEN (T) AAN DE HOOFDGIK + 24.1 > 30.1 METER STARRE JIB VOLLEDIGE STEMPELBASIS 7.75 X 7.50 METER

MAST-LENGTE IN METERS	VLUCHT IN METERS																												BALLAST 28.8 TON			
	8	9	10	12	14	16	18	20	22	24	26	28	30	32	34	36	38	40	42	44	46	48	50	52	54	56	58	60	62	64		
0°						3.0	3.0	3.0	3.0	3.0	2.9	2.8	2.7	2.6	2.4	2.2	2.1	2.0	1.9	1.7	1.7	1.6	1.5	1.4	1.3	1.2	1.0					
13.0 > 52.0	20°									2.8	2.6	2.4	2.3	2.2	2.1	2.0	1.9	1.8	1.7	1.6	1.6	1.5	1.4	1.4	1.3	1.3	1.2	1.2	1.0			
24.1 m klapjib	35°											1.6	1.6	1.5	1.5	1.4	1.4	1.3	1.3	1.3	1.2	1.2	1.2	1.2	1.2	1.1	1.1	1.1				
0°						2.1	2.1	2.1	2.1	2.1	2.1	2.0	2.0	2.0	1.8	1.7	1.6	1.5	1.4	1.3	1.2	1.1	1.1	1.0	0.9	0.9	0.8	0.8				
13.0 > 52.0	20°									2.0	1.9	1.7	1.6	1.5	1.5	1.4	1.3	1.2	1.2	1.1	1.1	1.0	1.0	0.9	0.9	0.8	0.8	0.8				
30.1 m klapjib	35°												1.1	1.0	1.0	1.0	0.9	0.9	0.9	0.8	0.8	0.8	0.8									

HIJSVERMOGEN (T) AAN DE HOOFDGIK + 24.1 > 30.1 METER STARRE JIB VOLLEDIGE STEMPELBASIS 7.75 X 7.50 METER

MAST-LENGTE IN METERS	VLUCHT IN METERS																												BALLAST 35 TON			
	8	9	10	12	14	16	18	20	22	24	26	28	30	32	34	36	38	40	42	44	46	48	50	52	54	56	58	60	62	64		
0°					3.2	3.2	3.2	3.2	3.2	3.1	2.9	2.8	2.6	2.4	2.3	2.1	2.0	1.9	1.8	1.7	1.6	1.5	1.4	1.3	1.3	1.2	1.1	1.1	1.0			
13.0 > 48.9	20°						2.9	2.7	2.5	2.4	2.2	2.1	2.0	1.9	1.8	1.7	1.6	1.6	1.5	1.4	1.4	1.3	1.3	1.2	1.2	1.1	1.1	1.1	1.0			
24.1 m klapjib	35°										1.6	1.6	1.5	1.5	1.4	1.4	1.3	1.3	1.3	1.2	1.2	1.2	1.2	1.2	1.1	1.1	1.1	1.0	1.0			
0°						2.3	2.3	2.3	2.3	2.3	2.2	2.1	2.0	1.9	1.7	1.6	1.5	1.4	1.3	1.2	1.1	1.1	1.0	0.9	0.9	0.8	0.8					
13.0 > 48.9	20°									2.0	1.8	1.7	1.6	1.5	1.4	1.3	1.3	1.2	1.1	1.1	1.0	1.0	0.9	0.9	0.8	0.8						
30.1 m klapjib	35°												1.1	1.0	1.0	0.9	0.9	0.9	0.8	0.8	0.8	0.8										

HIJSVERMOGEN (T) AAN DE HOOFDGIK + 24.1 > 30.1 METER STARRE JIB VOLLEDIGE STEMPELBASIS 7.75 X 7.50 METER

MAST-LENGTE IN METERS	VLUCHT IN METERS																												BALLAST 35 TON			
	8	9	10	12	14	16	18	20	22	24	26	28	30	32	34	36	38	40	42	44	46	48	50	52	54	56	58	60	62	64		
0°						3.0	3.0	3.0	3.0	3.0	2.9	2.8	2.7	2.6	2.4	2.2	2.1	2.0	1.9	1.7	1.7	1.6	1.5	1.4	1.3	1.3	1.2	1.1	1.0	0.9		
13.0 > 52.0	20°									2.8	2.6	2.4	2.3	2.2	2.1	2.0	1.9	1.8	1.7	1.6	1.6	1.5	1.4	1.4	1.3	1.3	1.2	1.2	1.1	1.1	1.0	
24.1 m klapjib	35°											1.6	1.6	1.5	1.5	1.4	1.4	1.3	1.3	1.3	1.2	1.2	1.2	1.2	1.2	1.1	1.1	1.1	1.0	0.9		
0°						2.1	2.1	2.1	2.1	2.1	2.1	2.0	2.0	2.0	1.8	1.7	1.6	1.5	1.4	1.3	1.2	1.1	1.1	1.0	0.9	0.9	0.8	0.8				
13.0 > 52.0	20°									2.0	1.9	1.7	1.6	1.5	1.5	1.4	1.3	1.2	1.2	1.1	1.1	1.0	1.0	0.9	0.9	0.8	0.8	0.8				
30.1 m klapjib	35°												1.1	1.0	1.0	1.0	0.9	0.9	0.9	0.8	0.8	0.8	0.8									

FAUN ATF 110G-5 / 110 TONS WEG/TERREIN KRAAN

HIJSVERMOGEN (T) AAN DE HOOFDGIK + 24.1 > 30.1 METER STARRE JIB HALVE STEMPELBASIS 7.75 X 5.00 METER

MAST- LENGTE IN METERS	VLUCHT IN METERS																										BALLAST 28.8 TON				
	8	9	10	12	14	16	18	20	22	24	26	28	30	32	34	36	38	40	42	44	46	48	50	52	54						
0°					3.2	3.2	3.2	3.2	3.2	3.1	2.9	2.8	2.6	2.4	2.3	2.1	2.0	1.7	1.4	1.1	0.9										
13.0 > 48.9	20°						2.9	2.7	2.5	2.4	2.2	2.1	2.0	1.9	1.8	1.7	1.6	1.6	1.5	1.4	1.3	1.0									
24.1 m klapjib	35°										1.6	1.6	1.5	1.5	1.4	1.4	1.3	1.3	1.3	1.2	1.2	1.2	1.0								
0°						2.3	2.3	2.3	2.3	2.3	2.2	2.1	2.0	1.9	1.7	1.6	1.5	1.4	1.3	1.2	1.0										
13.0 > 48.9	20°								2.0	1.8	1.7	1.6	1.5	1.4	1.3	1.3	1.2	1.1	1.1	1.0	1.0	0.9	0.9								
30.1 m klapjib	35°												1.1	1.0	1.0	0.9	0.9	0.9	0.8	0.8	0.8	0.8									

HIJSVERMOGEN (T) AAN DE HOOFDGIK + 24.1 > 30.1 METER STARRE JIB HALVE STEMPELBASIS 7.75 X 5.00 METER

MAST- LENGTE IN METERS	VLUCHT IN METERS																										BALLAST 28.8 TON				
	8	9	10	12	14	16	18	20	22	24	26	28	30	32	34	36	38	40	42	44	46	48	50	52	54						
0°						3.0	3.0	3.0	3.0	3.0	2.9	2.8	2.7	2.6	2.4	2.2	2.0	1.7	1.3	1.0	0.8										
13.0 > 52.0	20°							2.8	2.6	2.4	2.3	2.2	2.1	2.0	1.9	1.8	1.7	1.6	1.6	1.5	1.2	1.0									
24.1 m klapjib	35°										1.6	1.6	1.5	1.5	1.4	1.4	1.3	1.3	1.3	1.2	1.2	1.0									
0°						2.1	2.1	2.1	2.1	2.1	2.1	2.0	2.0	2.0	1.8	1.7	1.6	1.5	1.4	1.2	0.9										
13.0 > 52.0	20°								2.0	1.9	1.7	1.6	1.5	1.5	1.4	1.3	1.2	1.2	1.1	1.1	1.0	1.0	0.9								
30.1 m klapjib	35°												1.1	1.0	1.0	1.0	0.9	0.9	0.9	0.8	0.8	0.8	0.8								

HIJSVERMOGEN (T) AAN DE HOOFDGIK + 24.1 > 30.1 METER STARRE JIB HALVE STEMPELBASIS 7.75 X 5.00 METER

MAST- LENGTE IN METERS	VLUCHT IN METERS																										BALLAST 35 TON				
	8	9	10	12	14	16	18	20	22	24	26	28	30	32	34	36	38	40	42	44	46	48	50	52	54						
0°					3.2	3.2	3.2	3.2	3.2	3.1	2.9	2.8	2.6	2.4	2.3	2.1	2.0	1.9	1.8	1.7	1.5	1.2	1.0								
13.0 > 48.9	20°						2.9	2.7	2.5	2.4	2.2	2.1	2.0	1.9	1.8	1.7	1.6	1.6	1.5	1.4	1.4	1.3	1.3	1.1	0.8						
24.1 m klapjib	35°										1.6	1.6	1.5	1.5	1.4	1.4	1.3	1.3	1.3	1.2	1.2	1.2	1.2	1.0							
0°						2.3	2.3	2.3	2.3	2.3	2.2	2.1	2.0	1.9	1.7	1.6	1.5	1.4	1.3	1.2	1.1	1.1	1.0	0.9							
13.0 > 48.9	20°								2.0	1.8	1.7	1.6	1.5	1.4	1.3	1.3	1.2	1.1	1.1	1.0	1.0	0.9	0.9	0.8	0.8						
30.1 m klapjib	35°												1.1	1.0	1.0	0.9	0.9	0.9	0.8	0.8	0.8	0.8									

HIJSVERMOGEN (T) AAN DE HOOFDGIK + 24.1 > 30.1 METER STARRE JIB HALVE STEMPELBASIS 7.75 X 5.00 METER

MAST- LENGTE IN METERS	VLUCHT IN METERS																										BALLAST 35 TON				
	8	9	10	12	14	16	18	20	22	24	26	28	30	32	34	36	38	40	42	44	46	48	50	52	54						
0°						3.0	3.0	3.0	3.0	3.0	2.9	2.8	2.7	2.6	2.4	2.2	2.1	2.0	1.9	1.7	1.4	1.1	0.9								
13.0 > 52.0	20°							2.8	2.6	2.4	2.3	2.2	2.1	2.0	1.9	1.8	1.7	1.6	1.6	1.5	1.4	1.4	1.3	1.0	0.8						
24.1 m klapjib	35°										1.6	1.6	1.5	1.5	1.4	1.4	1.3	1.3	1.3	1.2	1.2	1.2	1.2	1.0							
0°						2.1	2.1	2.1	2.1	2.1	2.1	2.0	2.0	2.0	1.8	1.7	1.6	1.5	1.4	1.3	1.2	1.1	1.0	0.8							
13.0 > 52.0	20°								2.0	1.9	1.7	1.6	1.5	1.5	1.4	1.3	1.2	1.2	1.1	1.1	1.0	1.0	0.9	0.9	0.8						
30.1 m klapjib	35°												1.1	1.0	1.0	1.0	0.9	0.9	0.9	0.8	0.8	0.8	0.8								