



**PEINEMANN**

EQUIPMENT



Furnace Tube Extractor



# PEINEMANN

EQUIPMENT

## Furnace Tube Extractor

The standard Hydraulic Furnace Tube Extractor is designed for pulling / installing tubes up to 12 m length.

There is also an optional 24.790 m version available.

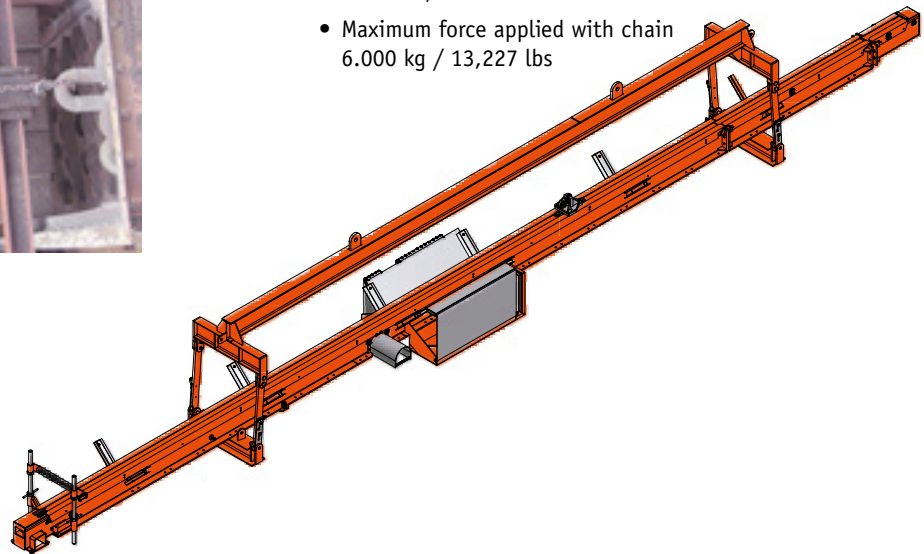
### The main advantages

- labor savings (one operator + assistant can do the job)
- minimal scaffolding required
- fast and safe operation



### Technical specifications

- Weight of extractor (12 m) – unloaded  
4.100 kg / 9,039 lbs
- Weight of extractor (24 m) – unloaded  
7.700 kg / 16,975 lbs
- Height in operational position  
2.370 mm / 7.78 ft
- Width of extractor  
1.630 mm / 5.35 ft
- Length of extractor  
24.790 mm / 81.33 ft
- Maximum tube length  
24.790 mm / 81.33 ft
- Maximum tube diameter  
250 mm / 9.84 inches
- Maximum force applied with chain  
6.000 kg / 13,227 lbs



## Peinemann Equipment

See also  
[www.peinannequipment.com](http://www.peinannequipment.com)

### Peinemann Equipment B.V.

Nieuwe Langeweg 40  
3194 DB Hoogvliet  
Phone: +31(0)10 - 295 50 00  
Fax: +31(0)10 - 295 50 49

### Peinemann USA

22820 I-H 45 N., Bldg #7, Ste P  
Spring, TX 77373  
Phone: 281-288-7979  
Fax: 866-431-5140

E-mail: [info@peinemann.nl](mailto:info@peinemann.nl)  
Website: [www.peinannequipment.com](http://www.peinannequipment.com)